

APPLICATION

The Reliance Genfore Washer/Disinfector is intended for use in the cleaning and low-level disinfection of reusable utensils, trays, glassware, bedpans and urinals. It can also be used for rubber and plastic goods, simple hard-surfaced rigid surgical instruments (such as forceps and clamps) and other similar and related articles found in healthcare facilities.

DESCRIPTION

The Reliance Genfore Washer/Disinfector is a mechanical washer equipped with an Eagle 3000 Stage 3 control system. The washer/disinfector is designed with seven adjustable cycles. Three additional cycles are available for customized programming to meet specific operating requirements. Three injection pumps are provided with a standard washer/disinfector. One enzyme pump, one detergent pump and one lubricant pump (for Thermal Rinse phase) increase the flexibility of the customized cycles. Up to five injection pumps can be installed. Each preprogrammed cycle is equipped with Pre-Wash, Enzyme, Wash, Rinse and Thermal Rinse phases.

The washer/disinfector offers both manifolded and non-manifolded washing. The washer/disinfector is available with a power vertical sliding door in single- or double-door operation configuration.



(Typical only - some details may vary.)

Size (W x H x L)

Exterior dimensions:

- 42 x 80 x 36-1/2" (1067 x 2032 x 927 mm)

Interior chamber dimensions:

- 24 x 26 x 24" (610 x 660 x 610 mm)

Load height:

- 31" (787 mm) above finished floor

The Selections Checked Below Apply To This Equipment

POWER/VOLTAGE*

Steam-Heated Unit

- 208 V, 60 Hz, 3-Phase, 4-Wire
- 380-400-415 V, 50 Hz, 3-Phase, 4-Wire
- 480 V, 60 Hz, 3-Phase, 3-Wire
- 600 V, 60 Hz, 3-Phase, 3-Wire

Electric-Heated Unit

- 380-400-415 V, 50 Hz, 3-Phase, 4-Wire
- 480 V, 60 Hz, 3-Phase, 3-Wire
- 600 V, 60 Hz, 3-Phase, 3-Wire

OPTIONS

- Power Door Operation Configuration:
 - Single
 - Double
- Non-Vented System With Dryer and HEPA Filter**
- Non-Vented System Without Dryer
- Vented System With Dryer and HEPA Filter**
- HEPA Filter**
- Pure Water Rinse
- Language Package
 - French
 - Spanish

ACCESSORIES†

- Air Compressor
 - 110-115 Volt
 - 200-240 Volt

ACCESSORIES (Cont'd)†

- Multi-Voltage Transformer
- Seismic Tie-Down Kit
- Drain Discharge Cool Down Kit
- Condensate Return Cool Down Kit (for Steam-Heated Units Only)
- Bottom Utility Connections
- Remote Control Extension, 50' Load Side (With Printer)
- Remote Control Extension, 50' Unload Side (With Printer)
- Remote Control Extension, 50' Unload Side (Without Printer; 60 Hz)
- 1-Level General Purpose Rack
- 2-Level Mixed-Load Rack†
- 3-Level Manifold Rack†
- 4-Level Manifold Instrument Rack (Without Central Post)†
- 5-Level Manifold Instrument Rack†
- Anesthesia/Respiratory Rack†
- Instrument Mesh Tray (Without Lid - Unit)†
- Instrument Mesh Tray Lid†
- Hold-Down Screen†
- Rigid MIS Instrument Rack†
- 4-Level Suction Tips/Instrument Manifold Rack†

ACCESSORIES (Cont'd)†

- Transfer Cart (Unassembled)
- Transfer Cart With Hinge Latch
- Universal Transfer Cart
- Additional Chemical Pump
 - One
 - Two
- Bedpan Rack
- Tray Rack
- Glassware Rack
- Multi-Purpose Basin Rack
- Kidney Bowl Rack
- Acu-Flow With Enzyme, Lubricant and Neutral
- Acu-Flow With Enzyme, Lubricant and Alkaline
- Acu-Flow Additional Alkaline Line

* Careful consideration must given to voltage selection prior to ordering. Later changes require substantial field modification.

** The HEPA filter is not available and not included with dryer option for single-door configuration.

† Refer to SD867 for Material Handling Accessories.

Item _____

Location(s) _____

STANDARDS

The Reliance Genfore Washer/Disinfector complies with the following standards, as certified by UL:

- **Underwriters Laboratories Standard (UL)** 61010-1, second edition.
- **Canadian Standards Association (CSA)** CAN/CSA-C 22.2 No. 61010-1, second edition.

STANDARD FEATURES

Vertical sliding door is constructed of **tinted, tempered glass** with stainless-steel trim to allow the operator to view the chamber with the door closed. While the cycle is in progress, glass door remains cool to the touch. Door is pneumatically activated with a built-in safety system.

Sliding door creates an airtight seal and is configured for power door operation.

Power door is opened and closed automatically using touch pads located on the control panel. If a power failure occurs, door can be opened manually. On double-door units, a door interlock feature is provided to prevent cross-contamination.

Stainless-steel pump is powered by a dual-speed motor. High pump speed provides the equivalent capacity of a 7.5 hp (5.6 kW) motor, 240 U.S. gal./min at 70 ft (910 L/min at 21.3 m) head pressure. Low pump speed provides the equivalent capacity of a 2 HP (1.5 kW) motor, 90 U.S. gal./min at 25 ft (341 L/min at 7.6 m) head pressure. Pump impeller is mounted directly on the motor shaft and does not require additional bearings. Pump motor is equipped with a drip-proof frame, magnetic starter, overload protection and sealed bearings (not requiring periodic lubrication).

Pump, spray system and all recirculating piping are of stainless-steel construction.

Single removable stainless-steel filter in the chamber sump prevents debris from entering the pump.

Heating coil (steam or electric) at the bottom of the wash chamber (sump) raises and maintains water temperature up to 180°F (82°C) during the Wash phase and up to 203°F (95°C) during the Thermal Rinse phase.

Rotary spray assemblies are positioned (one at top and one at bottom of chamber, each measuring 24-3/8" [620 mm] long) to reach all surfaces of the load. Every manifold used with the Reliance Genfore Washer/Disinfector has bi-directional rotary arms positioned on the top and bottom of each load shelf. Depending on the type of rack accessory in the chamber, the manifold connector automatically connects to the accessory at the start of each cycle.

16-W fluorescent lamp, mounted within an explosion/vapor-proof enclosure, illuminates the chamber interior.

Wash chamber is constructed of 16-gauge, #304 L stainless steel (No. 4 finish), argon-welded; wash chamber is of sanitary-type design for complete drainability. All horizontal fixed surfaces are sloped, overlapping metal sheets are minimized to reduce hard-to-clean locations, and there are no dead legs of more than six times the pipe diameter. A complete drain water sensor detects the presence of water in the piping.

Double-walled, insulated construction of chamber exterior reduces heat loss and noise level to the work area.



Chemical injection pumps. The system comes with one enzyme and one detergent injection pump which automatically add a selected quantity of chemical from 1/8 to 2 oz/gal (1 to 16 mL/L).

One injection pump is also provided to automatically add a selected quantity of lubricant (from 0 to 2 oz/gal [0 to 16 mL/L]) during the Thermal Rinse phase.

If desired, one or two additional chemical pumps can be installed, giving flexibility to wash with a neutral process, dual or alkaline process, or to vary the chemical used, depending on load type.

A low-level sensor is included to indicate when the detergent level in the container is low, or when insufficient chemical is available for the next cycle.

ENGINEERING DATA

Shipping Weight lb (kg)	Operating Weight lb (kg)	A-Weighted Equivalent Surface Sound Pressure Level*		Heat Loss BTU/h (kJ/h) @ 75°F (24°C) 40% RH Ambient		Water Consumption per Cycle U.S. gal (L)			Steam Consumption per Cycle lb (kg)	Pure Water+ Consumption per Cycle U.S. gal (L)	
				Vented	Non-Vented (option)	Hot	Cold				Drain Disch. Cooldown (option)
							Vented	Non-Vented (option)			
1075 (488)	1200 (544)	67.6 dB		1580 (1667)	add 7200 (7596)	38 (144)	9.5 (36)	add 15.7 (59.5)	add 14.5 (54.9)	16 (7.3)	9.5 (36)
						11.6 (44)	5.8 (22)				

* Calculated as described in ISO-3746 Standard.
† Based on Instrument Cycle.

‡ Based on Utensil Cycle.

+Option

50' (15 m) extension tubes are included to pump chemicals from canisters installed in a remote location to the washer/disinfector.

Pulsed enzyme treatment, following the Pre-Wash phase, is proceeded with hot tap water. The pulsed enzyme is a sequence of soaking and recirculation of hot water with enzyme. The enzyme is automatically injected at a preset quantity of 1 oz/gal (8 mL/L), but can be manually adjusted between 1/8 and 2 oz/gal (1 and 16 mL/L).

Vented system. Chamber vapors are exhausted to the building exhaust system through a 3.0" (76 mm) OD vent connection located on top of the chamber.

Airtight doors. Unit is equipped with airtight doors.

Control panel, mounted at eye level to the right of the chamber, allows easy monitoring of all cycle phases.

The control system includes **seven pre-programmed, adjustable cycles** (Gentle, Instruments, Glassware, Utensils, Plastic Goods, Anesthesia/Respiratory Goods and Rigid MIS) and **three custom programmable cycles (Cycle 8, Cycle 9 and Cycle 10)**. Once the cycle is started, programmed cycle values are locked in and cannot be changed until the cycle is completed. Access to the load is restricted (via an access code) until the cycle is successful.

Decontamination (Descaling) cycle is provided for weekly cleaning of the chamber, piping and accessories. Descaling cycle is factory programmed and cannot be modified by the operator.

Priming cycle is provided for automatic priming of the chemical pump(s) on initial start-up of the equipment, or as needed.

Optimized sump design and optimized water consumption control the quantity of water injected according to the pump speed. The quantity of water necessary at low speed is less than at high speed.

Top utility connections facilitate installation, all utilities (including vent, steam, electric and water) are connected on the top of the washer. Top water injection gives a secure air gap of 31-1/2" (800 mm). Backflow preventers are not required for hot and pure water.

Piping, valves, electrical components and wiring are easily accessible through access panels. Ports are provided on the cold, hot and pure water lines so gauges can be installed to monitor utilities.

CYCLE DESCRIPTION

ADVISORY NOTE: *STERIS does not intend, recommend or represent in any way that this Reliance Genfore Washer/Disinfector be used for the terminal disinfection or sterilization of any regulated medical device. Reliance Genfore Washers/Disinfectors are intended only to perform an initial step in the processing of soiled, reusable medical devices. If medical devices will be contacting blood or compromised tissues, such devices must be terminally processed in accordance with good hospital practices before each use in human patients.*

On initial daily start-up, setting the POWER-OFF/STANDBY switch to POWER prepares the washer/disinfector for cycle operation.

Once **treatment cycle** is selected, the washer/disinfector automatically processes the load through the following standard phases (additional phases are included in certain treatment cycles depending on unit configuration):

- **Pre-Wash.** Cold water enters the sump from the building supply. Once the sump fills, pre-wash water is recirculated and sprayed over the load for two minutes (factory-setting). On completion of the phase, water is sent to the drain. Recirculation time is adjustable from 15 seconds to 15 minutes.
- **Pulsed Enzyme.** Hot tap water enters sump from the building supply, where a selected amount of enzyme detergent is added automatically. The load is sprayed with enzyme solution for 4 seconds, then allowed to soak on instruments for 26 seconds. Spray/soak pattern is repeated for the selected time interval (4 to 15 minutes). On completion of the phase, the solution is sent to drain, and the load is rinsed with hot water.
- **Wash.** Hot tap water enters the sump from the building supply, where a selected amount of detergent is added automatically. Detergent solution is heated and maintained at a temperature ranging from 140 to 180°F (60 to 82°C); factory setting is 150°F (65°C). Once set temperature is reached, solution is recirculated and sprayed over the load for the selected time interval (2 to 15 minutes). On completion of the phase, the solution is sent to the drain.
- **Neutralizer.** Hot tap water enters the sump from the building supply, where a selected amount of neutralizing detergent is added automatically. Detergent solution is heated and maintained at a temperature ranging from 140 to 180°F (60 to 82°C); factory setting is 150°F (65°C). Once set temperature is reached, the solution is recirculated and sprayed over the load for the selected time interval (1 to 15 minutes). On completion of the phase, the solution is sent to the drain.
- **Rinse.** Hot tap water enters the sump from the building supply. Water may be heated and maintained at a temperature ranging from 110°F to 180°F (43°C to 82°C) for 15 seconds (factory-setting). Once the sump fills, rinse water is recirculated and sprayed over the load for the selected time interval (15 seconds to 15 minutes). On completion of the phase, water is sent to the drain.
- **Thermal Rinse.** Hot tap water or pure water (if unit is equipped with Pure Water Rinse option) enters the sump from the building supply. Rinse water is recirculated, heated and maintained at a temperature ranging from 194 to 203°F (90 to 95°C). Once the set temperature is reached, rinse water is recirculated and sprayed over the load for the selected time interval (1 to 10 minutes).

In 60-Hz units washer/disinfectors, a lubricant is automatically injected during the Thermal Rinse at a concentration of 1/8 to 2 oz/gal (1 to 16 mL/L). In 50-Hz units, Rinse Aid is injected instead of lubricant.

On completion of the phase, water is sent to the drain.

- **HEPA-Filtered Drying** (if unit is equipped with Vented or Non-Vented System with Dryer and HEPA, High Efficiency Particulate Air, Filter option). Hot air is recirculated over the load for 6 to 60 minutes at low temperature (180°F [82°C]), or 6 to 30 minutes at high temperature (210°F [99°C]). During the Drying phase, a small quantity of air (approximately 50 scfm) is exhausted through the building vent system (Vented System option), or through the condenser (non-vented system option) to reduce humidity. This exhausted air is replaced by HEPA-filtered fresh air. The drying efficiency is enhanced by high convection of hot air through diffusers in the chamber and piping in the manifolded racks.

NOTE: The HEPA filter is not available and not included with dryer option for single-door configuration.

On completion of daily usage, the washer can be placed in a STANDBY Mode by setting POWER-OFF/STANDBY switch to OFF/STANDBY position.

Once the switch is set, there is a one-minute delay before the power doors automatically lock.

CONTROL SYSTEM

Design Features

Microcomputers monitor and control washer/disinfector operations and functions. Cycle progresses automatically through the designated phases as programmed.

The control system features **preprogrammed temperature ranges** for each cycle. If the operator selects an out-of-range temperature setting when modifying the cycle values, the control system alerts the operator with a reference message, and halts further operation until the correct value is entered. The control does not monitor pressure, chemical volume or conductivity.

Controls

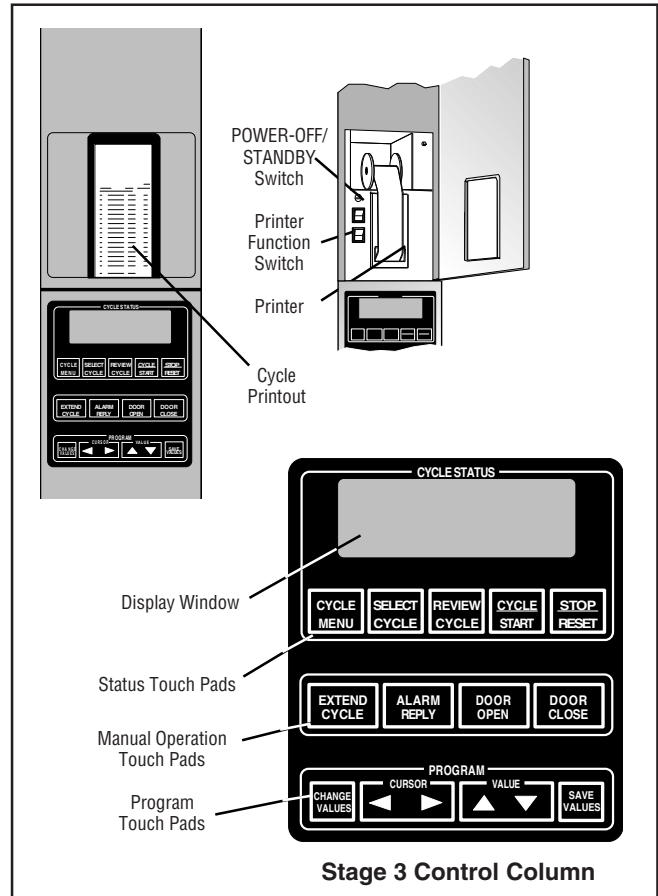
Controls are mounted in a vertical column to the right of the chamber on the load side, and to the left of the chamber on the unload side (if double-door configuration). Salient features include:

1. **Hinged door at the top of load side control column** provides access to:

- **POWER-OFF/STANDBY switch** includes two settings which direct operation of the control.

Positioning switch to POWER initializes the controls and prepares the washer/disinfector for daily cycle operation, positioning switch to OFF/STANDBY places washer/disinfector in Standby Mode and deactivates the main control panels.

- **Printer function switch** controls the following two printer functions:
 - » **Print.** Pressing the top of the printer function switch generates a printout of the actual chamber water temperature and actual chamber air temperature during the optional Drying phase.
 - » **Print values.** Pressing the bottom of the printer function switch generates a complete printout of all currently set cycles and cycle values.



- **Integral thermal printer** provides an easy-to-read **printed record** of whether the load was properly rinsed at the preset temperature, as well as a complete list of the alarm and abort in-cycle messages. Printer take-up spool automatically stores an entire roll of paper, providing cycle records which can be saved for future reference.
2. **Control panel**, consisting of a **display window** and three rows of membrane-type **touch pads**, is included both on the load-side and unload-side control columns. Cycle initiation and cycle value programming can be performed from either control panel.
 - **Display window** features a 2-line x 20-character, easy-to-read vacuum fluorescent display. Display shows cycle status, time, temperature, warnings and instructional messages. The display also indicates any abnormal conditions that may exist when a cycle is in progress. All messages are complete readouts with no codes to be cross-referenced.
 - **Status touch pads** allow the operator to view available cycle menus, select a cycle, review a cycle before processing, and start, stop and abort cycles.
 - **Manual operation touch pads** allow the supervisor to double the cycle time while reviewing the cycle or during processing, acknowledge alarm conditions and open and close the power chamber doors.

- **Program touch pads** allow the supervisor to bypass optional cycle phases and/or modify factory-set cycle values to meet specific operating needs. Available cycles, along with phase times and temperatures for each cycle, can be modified using the CHANGE VALUES touch pad.
3. **Operator/supervisor touch pad (selectable features)** are accessible through either control panel.
- **Time display and printout units** permit selection of either **AM/PM** or **24 hour**.
 - **Security access code** requires entry of a **four-digit access code** to change cycles and cycle values. Pressing the CHANGE VALUES touch pad causes the display to request entry of an access code. If the access code is not properly entered, the display advances to the first cycle (and related cycle values) not requiring an access code.
 - **Code access** is accessible by the supervisor.
 - **Date and time** permits change of date and time.

Technical Control Data

Control system consists of two microcomputer printed circuit boards located within the unit.

An **internal battery** backs up all cycle memory for up to ten years. If a power failure occurs during a cycle, the control battery backup system verifies that cycle memory will be retained. Even if the RAM battery should fail, factory-setting values will be preserved in the control's main EPROM chip.

Resistive Temperature Detectors (RTDs) sense temperature inside the chamber. These signals, converted into electrical impulses, provide accurate control inputs and readouts throughout the entire cycle. Individual temperature calibrations can be made by a trained service technician.

If temperature sensor failure occurs, the alarm sounds and a message is printed.

Water level sensors monitor water level of the chamber sump. If water level sensor failure occurs, the alarm sounds and a message is printed.

Printer board has a 24-column, alphanumeric printer which produces characters within a 5.0 x 7.0 dot matrix on 2-1/3" (60 mm) wide, single-ply thermal paper. Printer is controlled by a dedicated microcomputer.

Print speed is approximately 48 lines per minute. Paper tape exits from an opening flush with the surface of the control panel, and is taken up automatically by an idler spool mounted above the main printer assembly.

Five paper tape rolls are included with each unit.

SAFETY FEATURES

Vertical chamber door is equipped with a **safety switch** to prevent the door from closing quickly in case of system failure. The washer/disinfecter is equipped with a **safety lockout feature** so a cycle cannot start unless the door is fully closed. If the door is opened during a cycle, all utility services to chamber are shut off, and the cycle stops.

Door interlock feature (double-door units only) is provided to prevent cross-contamination. Door interlock feature allows only one door to be opened at a time whenever power is on. When the cycle is in process, door interlock prevents either door from being opened without first pressing the STOP/RESET touch pad. Access to the load is then restricted.

Emergency stop pushbutton(s), one on the load and one on the unload side (double-door units), automatically stop all unit operation when pressed.

Building electrical supply disconnect switch must be used to shut off power to the unit before servicing.

OPTIONAL FEATURES

Non-Vented System Without Dryer

System includes a cold water condenser. Chamber vapors are exhausted through the condenser to the facility room. Drying system includes a 1.5 hp (1.12 kW), 50 or 60 Hz fan. No additional duct work is required.

Non-Vented System With Dryer

System includes a cold water condenser. Chamber vapors are exhausted through the condenser to the facility room. Drying system includes a 1.5 hp (1.12 kW), 50 or 60 Hz blower and three electric heaters totalling 7.4 kW. System heats and maintains chamber to 180-203°F (82-95°C). No additional duct work is required.

Vented System With Dryer

Drying system includes a 1.5 hp (1.12 kW), 50 or 60 Hz blower and three electric heaters totalling 7.4 kW. System heats and maintains chamber to 180-203°F (82-95°C). Additional duct work is required. This option can be removed.

Drying System With HEPA Filter

Drying system is manifolded and circulates HEPA-filtered air through piping, accessories and chamber. Includes a 1.5 hp (1.12 kW), 60 Hz blower and three electric heaters totalling 10.1 kW. System heats and maintains chamber to 180-210°F (82-99°C).

NOTE: The HEPA filter is not available and not included with dryer option for single-door configuration.

Pure Water Rinse

Pure water from facility is sprayed over load under pump pressure for 10 seconds (adjustable from 10 seconds to 15 minutes). If set to 10 seconds, the effluent is not recirculated; if time is set to anything more than 10 seconds, effluent is recirculated. Up to four Pure Water Rinse treatments can be selected per cycle with recirculated water. Pure water can be heated from 180-203°F (82.2-95°C) using either steam or electric.

HEPA Filter

A HEPA filter is installed as a pre-filter on the wash chamber air inlet.

NOTE: The HEPA filter option is not available for single-door configuration.

ACCESSORIES*

Remote Air Compressor, complete with automatic tank drain and pressure switch, is available in either 110-115 V or 200-240 V, 50/60 Hz, 1-Phase. Oilless air compressor operates at 69 dB sound level. Wiring at installation not provided by STERIS.

Multi-Voltage Transformer is available for facilities having one of the following voltage supply configurations:

- 240 V, 3-Phase, 3-Wire, 60 Hz, 30 kva.
- 600 V, 3-Phase, 3-Wire, 60 Hz, 30 kva.
- 208 V, 3-Phase, 4-Wire, 60 Hz, 30 kva.

Use multi-voltage transformer in combination with 480 V, 3-Phase, 3-Wire, 60 Hz Steam or Electric Washer.

Drain Discharge Cool Down assures water drained at the end of each phase, from the chamber sump to the building drain system, does not exceed 140°F (60°C). If the water temperature in sump is higher than 140°F (60°C), cold water is automatically added to reduce the temperature of the water discharged into the building drain system.

Steam Condensate Return Cool Down allows for connection of a steam condensate return outlet to the drain when a steam condensate return line is not available in the building. Cold water is also injected in the drain piping when condensate return water temperature is too high. Condensate return cool down will keep the temperature in the drain piping below 140°F (60°C).

Bottom Utility Connections permit easy installation of utilities (if supplied) from the floor.

Remote Control Extensions (with or without printer) allow the control to be relocated up to 50' (15 m) away from the washer, and is available on the load or unload side.

Seismic Tie-Down Kit includes a seismic report for proper installing and securing of washer to the building floor. Unit is designed to comply with Seismic Zone 3 and 4 requirements.

Acu-Flow System using Prolystica™ Ultra Concentrate Chemicals. An Acu-Flow system is installed on each chemical injection pump to enable use of Prolystica Ultra Concentrate chemicals. Ultra concentrated products are ten times the concentration of traditional products. Therefore, ten times less chemical is injected per cycle to properly process the load.

* See SD867 for information on material handling accessories, including the Rigid MIS (Minimal Invasive Surgery) Rack.

INSTALLATION

The washer/disinfector is designed as a fully enclosed cabinet for freestanding or recessed installation. **Clearance between the top of the unit and the ceiling must be at least 14" (356 mm).**

If the system is recessed through one or two barrier walls, stainless-steel barrier flanges are included to provide a finished wall appearance.

Once installed, the system is designed to allow for easy access for maintenance purposes.

Printer control console is located on the right-hand side when facing the load end. Controls can be interchanged to suit specific requirements if ordered as an accessory.

All configuration modifications are available upon request. Contact STERIS to receive a quotation.

PREVENTIVE MAINTENANCE

Customers are encouraged to contact STERIS concerning our annual maintenance program. Under the terms of the program, preventive maintenance, adjustments and replacement of worn parts are provided on a scheduled basis to help ensure optimal equipment performance and help minimize untimely or costly schedule interruptions. STERIS maintains a worldwide staff of well-equipped, factory-trained technicians to provide these services, as well as on-site installation, training and expert repair services. Contact STERIS for details.

NOTES

1. Machine is shipped in one crate (W x H x L): 50 x 91 x 42" (1270 x 2311 x 1067 mm).
2. Customer must assure the washer/disinfector stands on a noncombustible floor (floor should be level).
3. STERIS recommends shutoff valves and vacuum breakers (not provided by STERIS) be installed on service lines, and disconnect switches (with lockout in OFF position; not provided by STERIS) be installed in electric supply lines near the equipment.
4. Pipe sizes shown indicate terminal outlets only. Building service lines (not provided by STERIS) must supply the specified pressures and flow rates.
5. For all ventilation ducting from the washer/disinfector, STERIS recommends installation of a dedicated, corrosion-proof, watertight duct to the exterior of the building, sloped toward the washer/disinfector. A 3" (76 mm) OD flexible duct is recommended.
6. **Minimum ceiling height for removal of doors is 94" (2388 mm).**
7. STERIS recommends illumination of the service area along with providing a convenience outlet for maintenance.

UTILITY REQUIREMENTS

IMPORTANT: Refer to equipment drawing 920-511-397EN for installation details and specifications.

CUSTOMER IS RESPONSIBLE FOR COMPLIANCE WITH APPLICABLE LOCAL AND NATIONAL CODES AND REGULATIONS.

STERIS Corporation,
Quebec, Qc, Canada is an ISO 9001
and ISO 13485 certified facility.

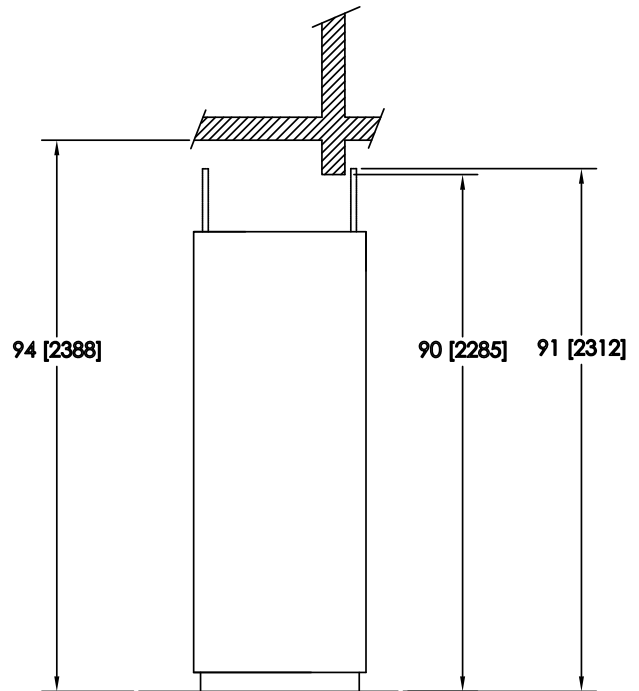
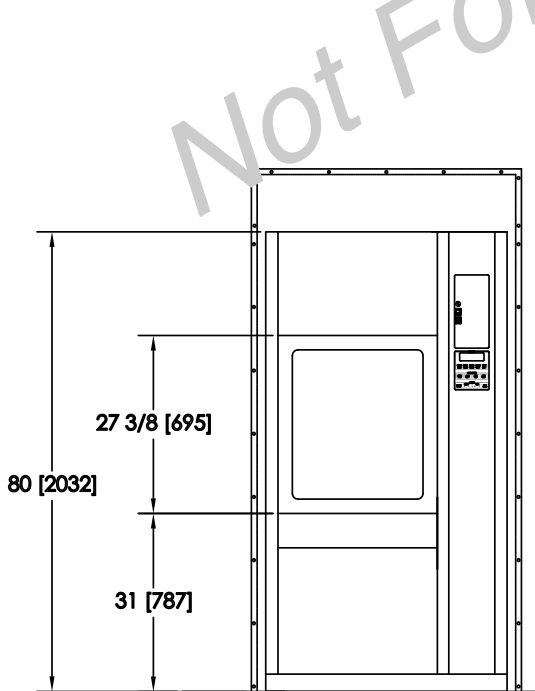
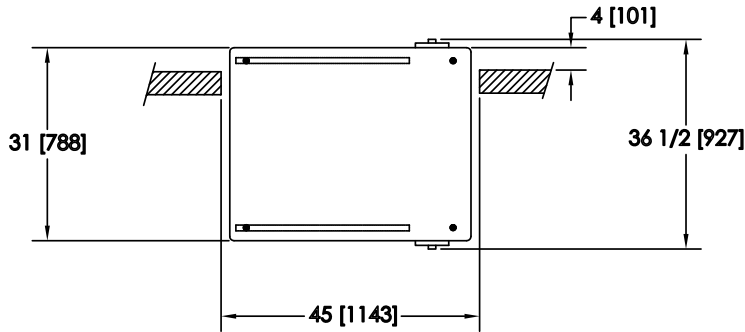
The base language of this document is
ENGLISH. Any translations must be made
from the base language document.

Reference listed equipment drawing for detailed installation specifications.
 Obtain this drawing from your STERIS Representative.

Equip. Dwg. No.	Equipment Drawing Title
920-511-397EN	Reliance/Hamo Genfore Washer/Disinfector 50 Hz / 60 Hz - English

Dimensions are inches (mm)

Dimensions are typical –
 drawing is not to scale.



Reliance Genfore Washer/Disinfector

NOTES

Recommended Air Compressor

1. Enclosure must be well ventilated with a good air path to and from the ends of the compressor.
2. Inlet air temperature should be between 32 and 100°F (0.0 and 38°C). Locate the air inlet outside of the enclosed service areas. Inlet air pipe size is 1/4" (6.0 mm). Increase pipe diameter one size for every 150" (3050 mm) inlet filter is placed away from unit.
3. Use 3/8" (10 mm) pipe (or larger) between the compressor and the washer/disinfector when compressor is remotely located.

4. The air compressor, used in compliance with the Reliance Genfore Washer/Disinfector, can support one loading module and one unloading module (SCS Conveyor System).

UTILITY REQUIREMENTS

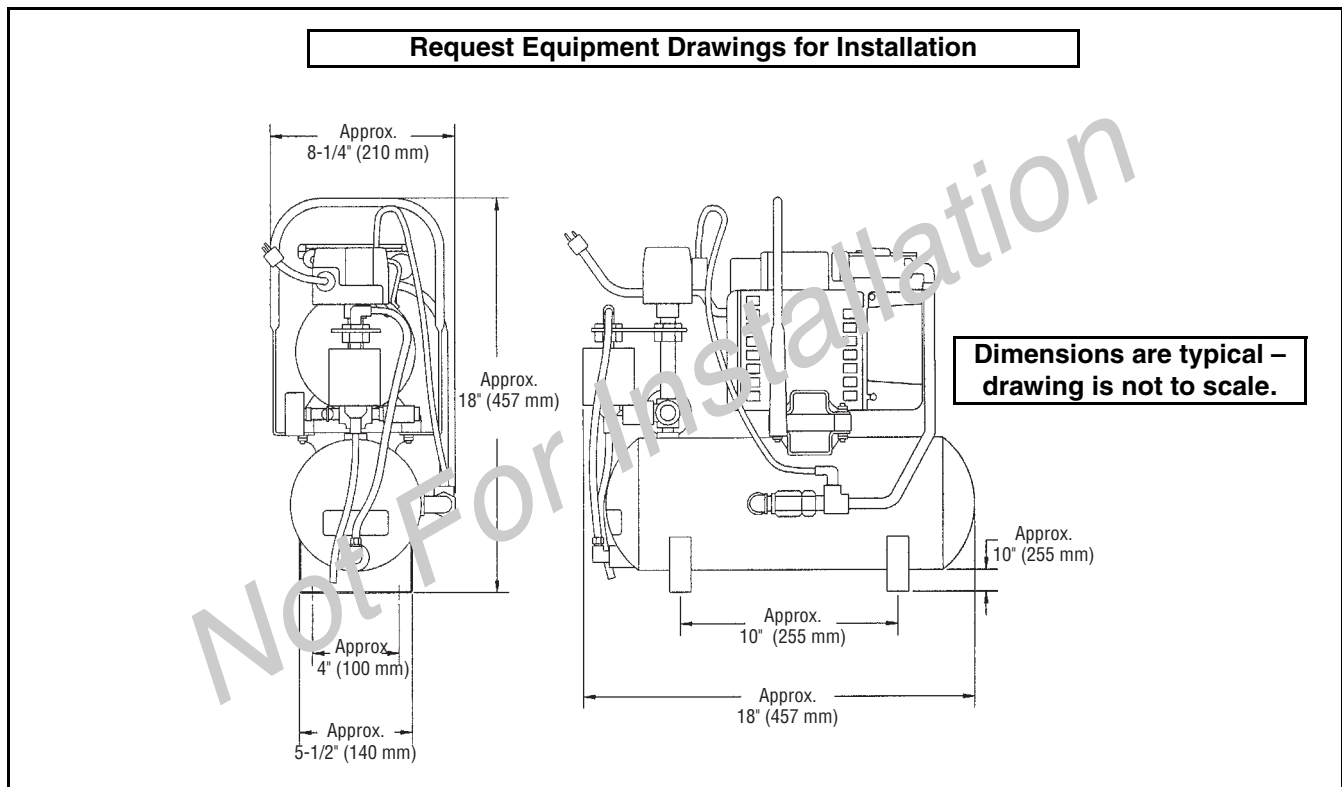
Recommended Air Compressor

Electrical – Compressor Motor

- 110-115 V, 50/60 Hz, 1-Phase, or
- 200-240 V, 50/60 Hz, 1-Phase.

ENGINEERING DATA - RECOMMENDED AIR COMPRESSOR WITH AUTOMATIC TANK DRAIN

CFM Open Flow	Weight lb (kg)	Comp. Stages	Cylinder	LUBRICATION			MOTOR	
				Lubrication	Size in (mm)	Capacity ft ³ (L)	Max. Press. psig (kPa)	Operating Speed Hz (rpm)
2	19 (8.6)	1	1	Oilless	See Figure	0.27 (7.6)	100 (690)	50 (1400) 60 (1675)



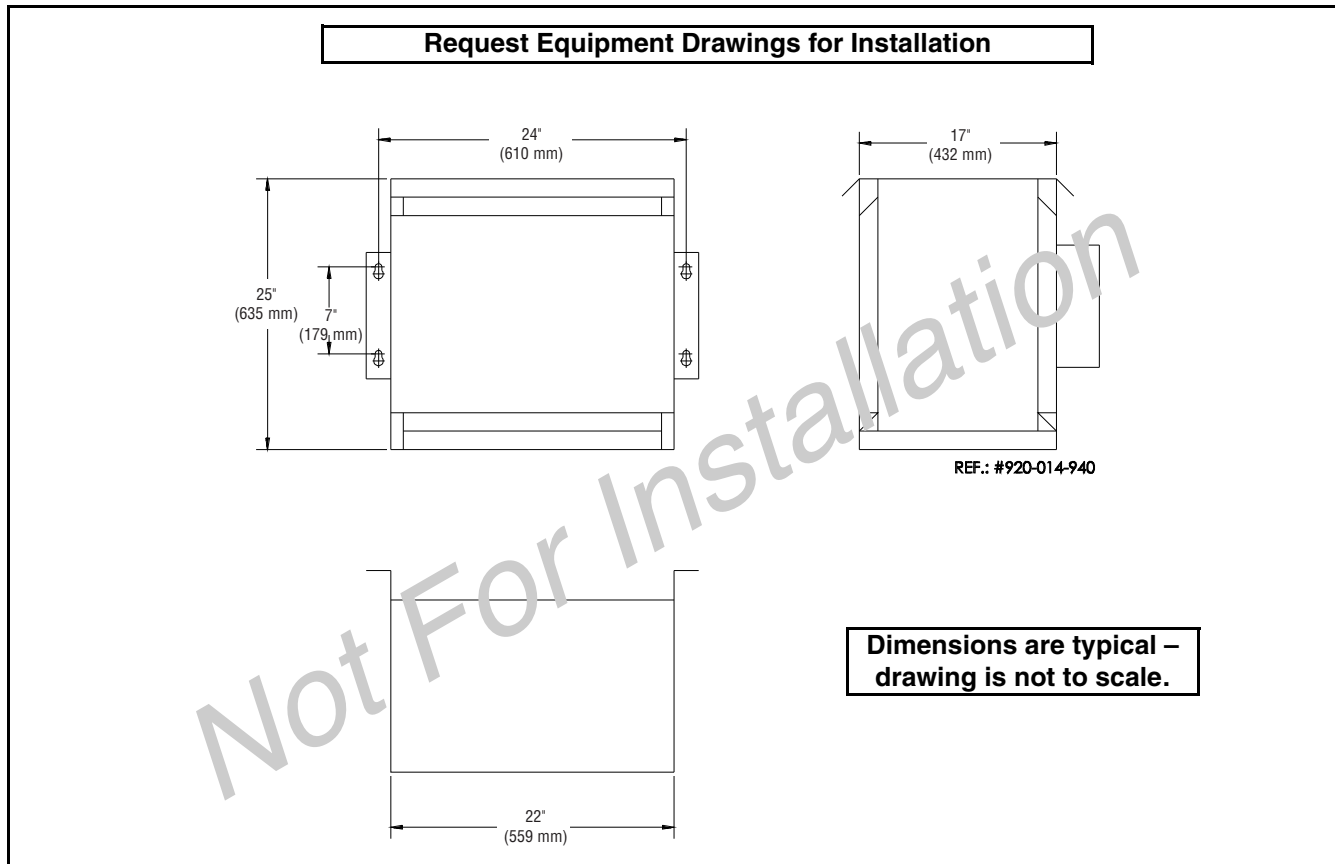
Recommended Air Compressor

ENGINEERING DATA - RECOMMENDED TRANSFORMER

Power kVA	Input HV V3~, 60 Hz	Output LV V3~, 60 Hz	Weight lbs (kg)	Noise Level dB*	No load loss Watts	Load loss 302°F (150°C) Watts	Total losses Watts
30	208/240/600	480	457 (208)	45	258	608	867

Excitation current %	Installation	Size in (mm)	HV connectors per phase AWG	LV connectors per phase AWG	Temperature Class °F (°C)	Winding (HV) (LV)
3.96	Wall/Floor	see Figure	2-14	2/0-6	428 (220)	Copper

* Calculated as described in ISO-3746 Standard.



Recommended Transformer

For Further Information, contact:

STERIS®



STERIS Corporation
5960 Heisley Road
Mentor, OH 44060-1834 • USA
440-354-2600 • 800-548-4873
www.steris.com